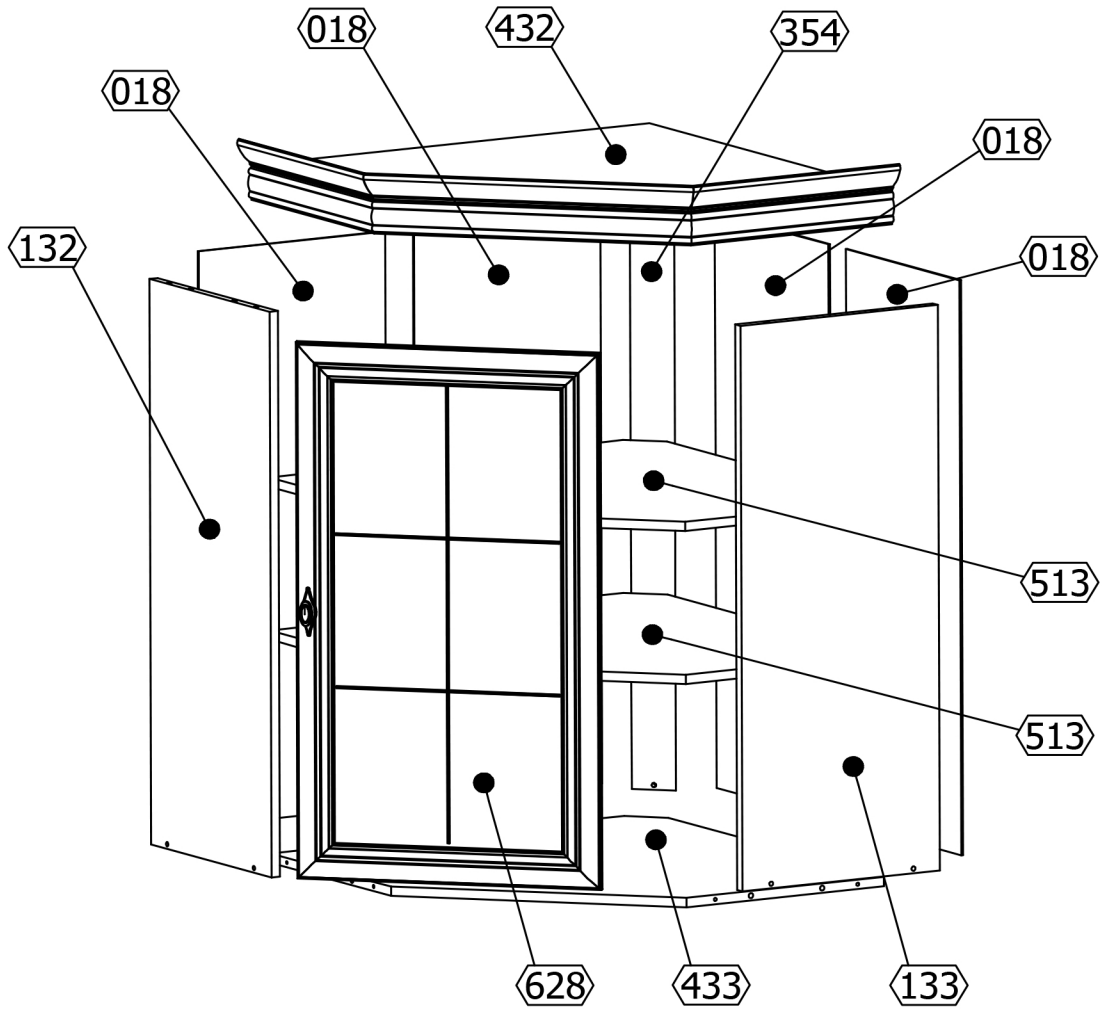
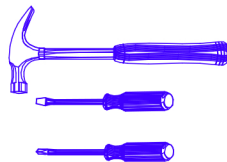
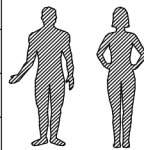
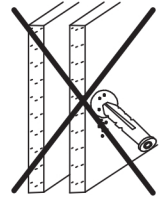
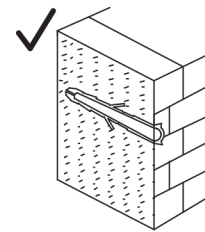
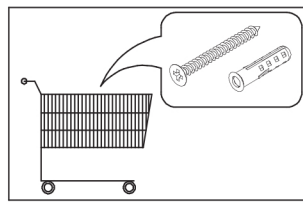
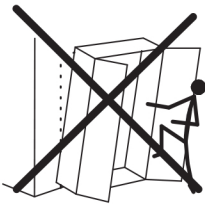
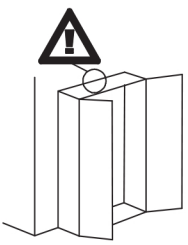


Kora KNN1

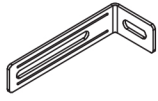


1	432	1	3
2	433	1	3
3	132	1	1
4	133	1	1
5	513	2	3
6	018	4	1
7	628	1	2
8	354	1	3



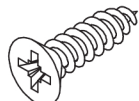


T4 x1

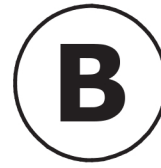


75x28x16 mm

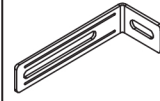
W2 x2



Ø3,5x16mm



T4 x2

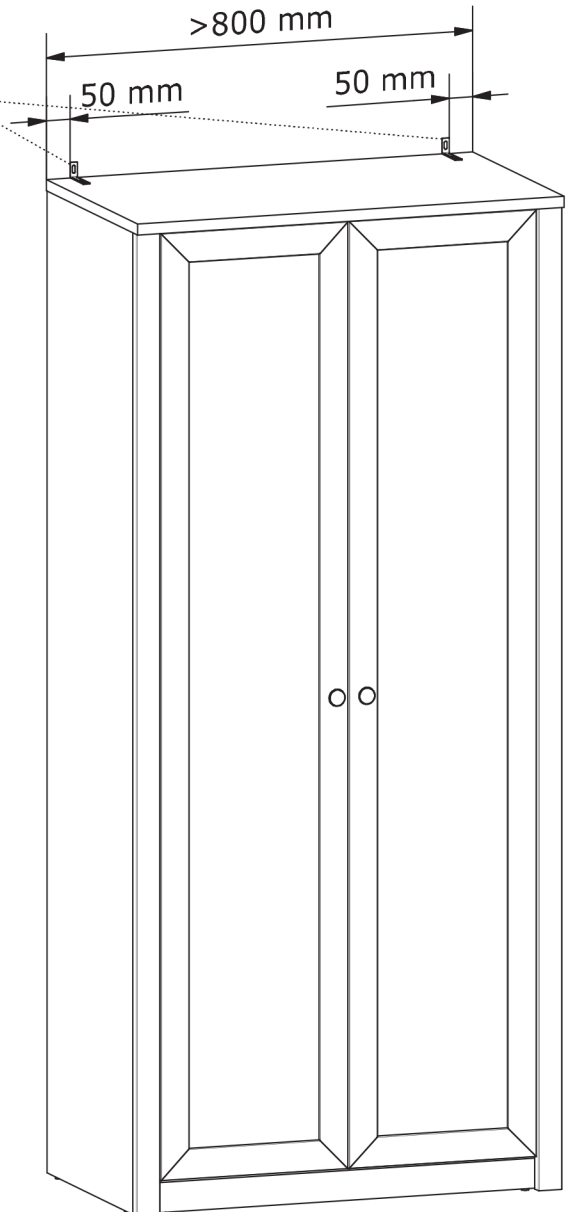
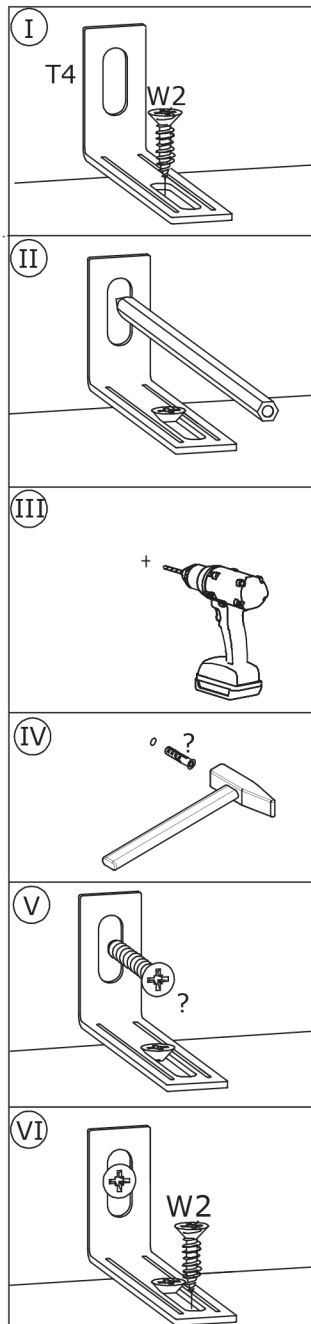
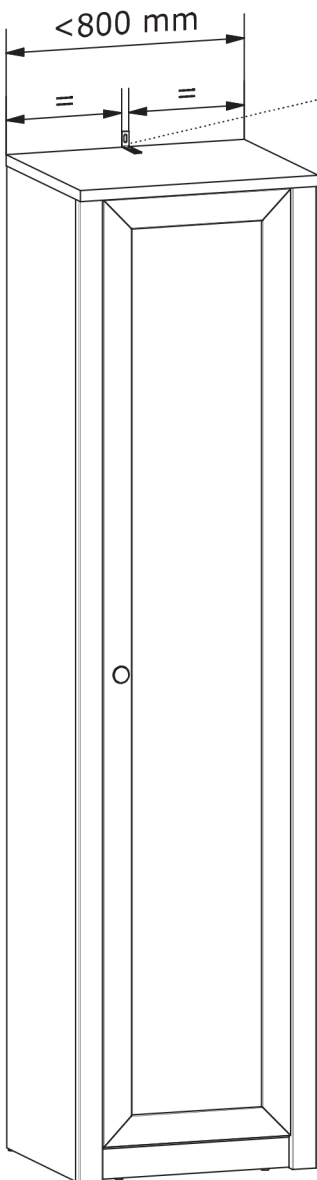


75x28x16 mm

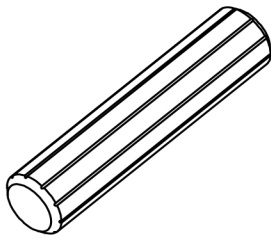
W2 x4



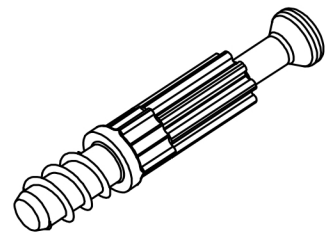
Ø3,5x16mm



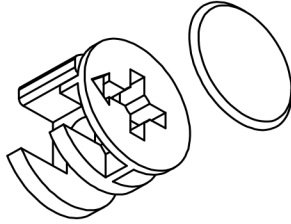
A x9
(8x36)



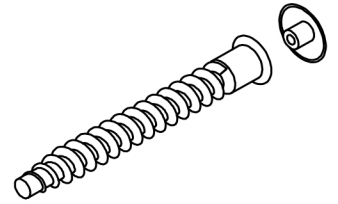
B x4



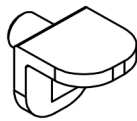
C x4
(Ø15x12)



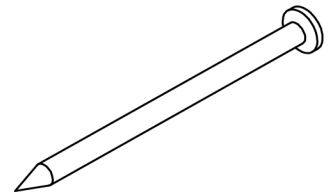
D x5



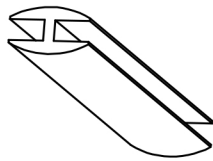
E x10



G x50



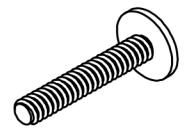
H x2



M x1

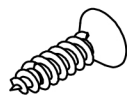


+

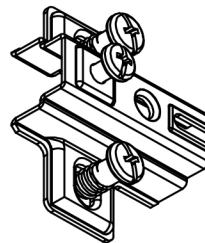


X2 (M4x35)

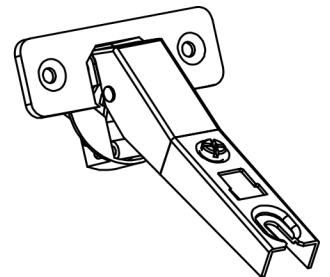
W2 x4
(3,5x16)



U x2

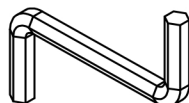


Uz

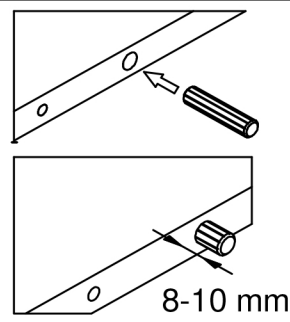
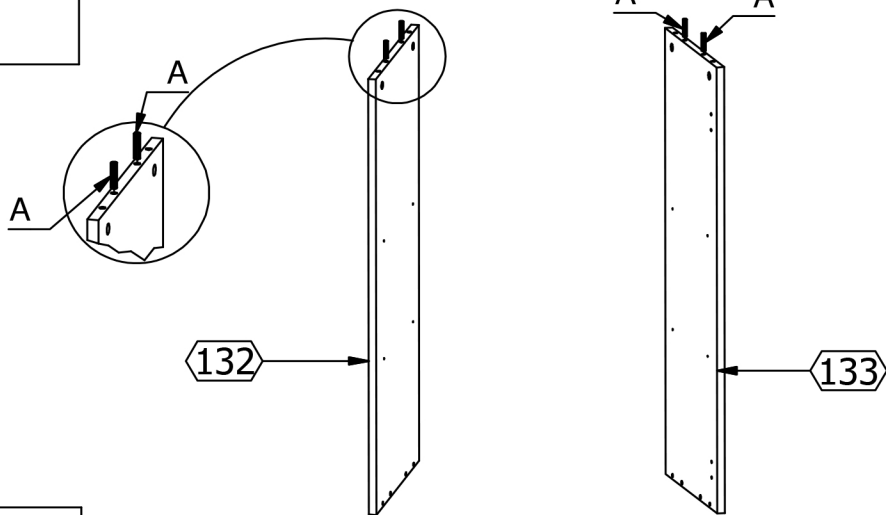


Uzs1

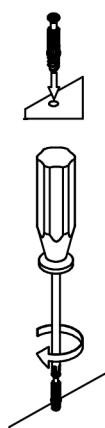
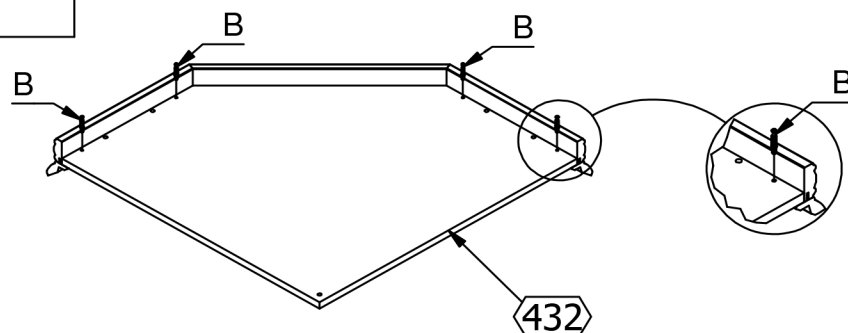
Z x1



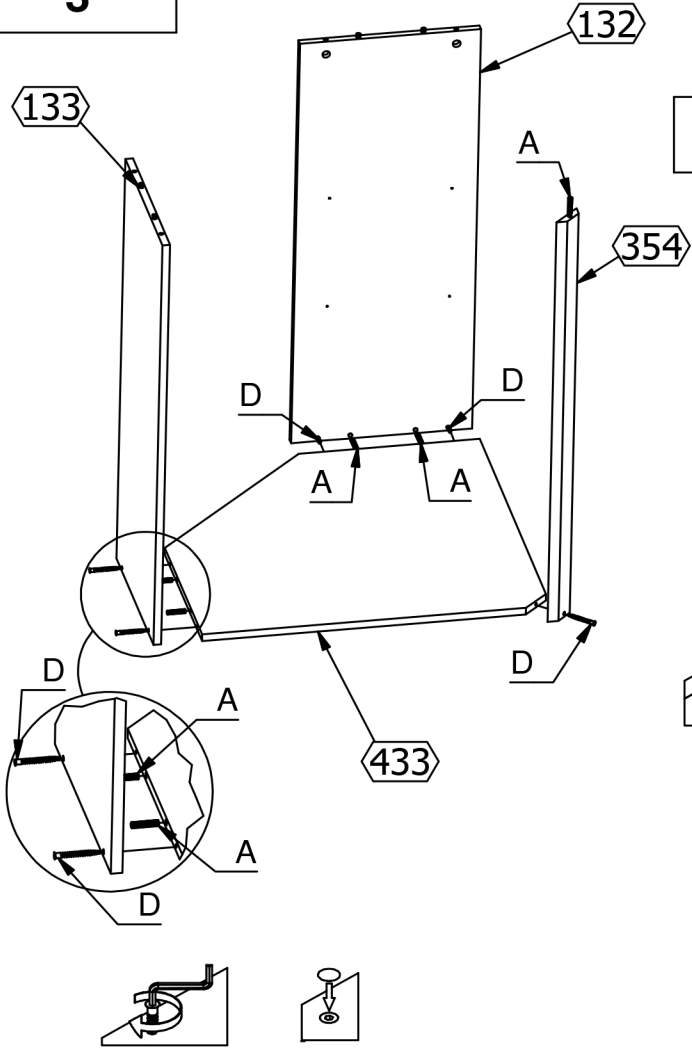
1



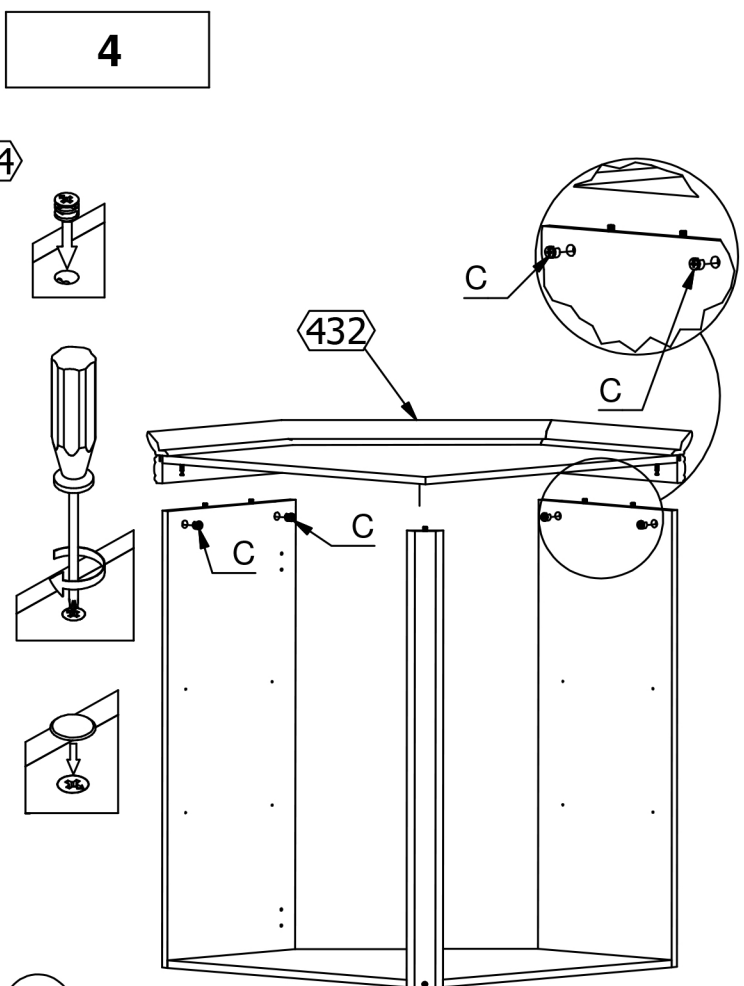
2



3

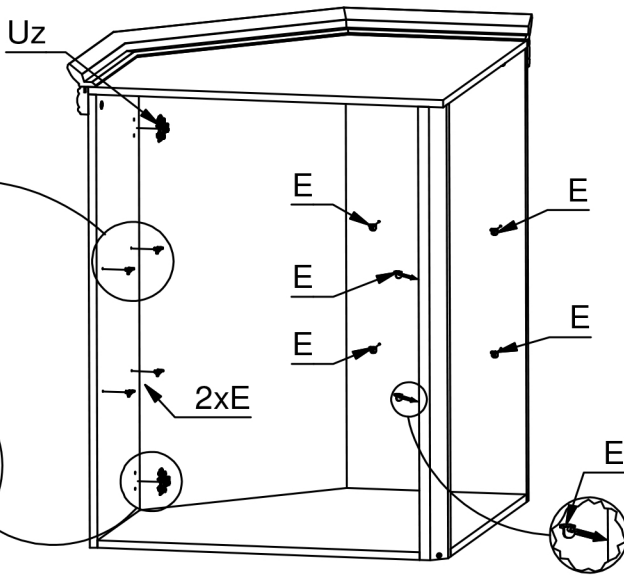


4

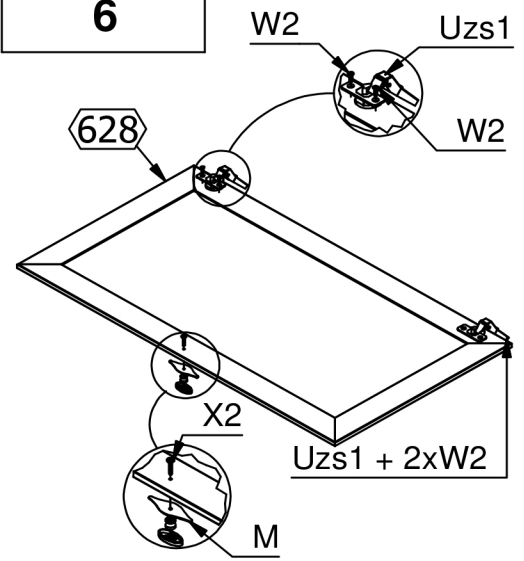


3

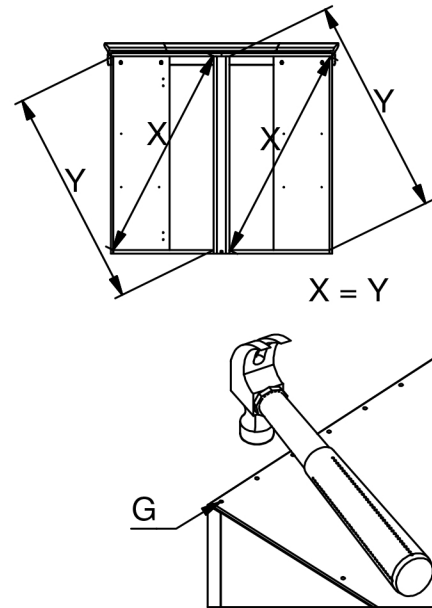
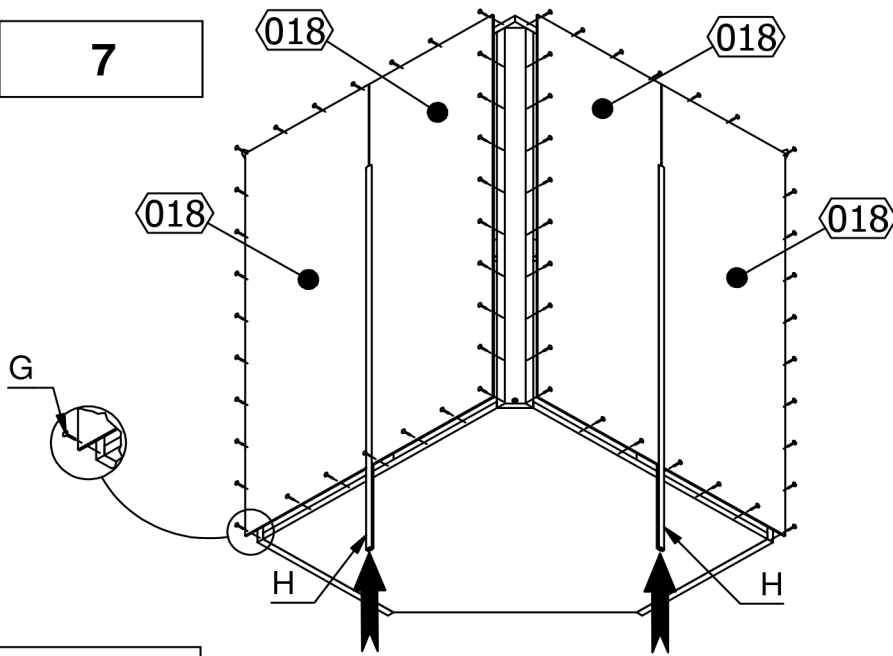
5



6



7



8

